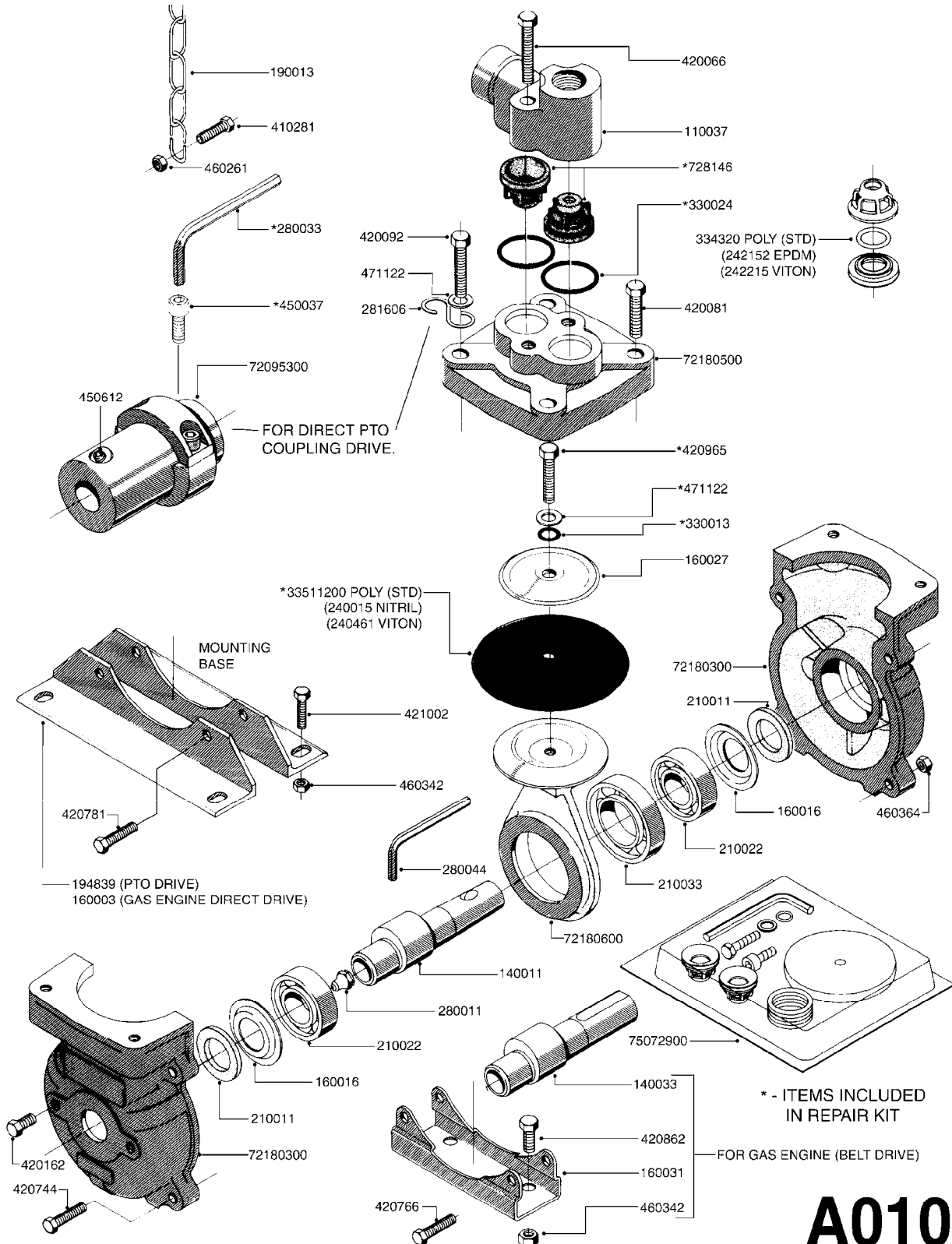




PUMP - 500
A010-HIN, 01:11:11



A010



PUMP - 500
A010-HIN, 01:11:11

Page 1
Date 19.03.2013 9:41

parts-n°	order qty	description
110037	1	VALVE CHAMBER MOD 500 PAINTED
140011	1	CRANK SHAFT MODEL 500
140033	1	CRANK SHAFT,MODEL 500/4
160003	1	PUMP MOUNT PLATE TALL 500/600
160016	1	DUST PLATE
160027	1	DIAPHRAGM UPPER DISC 500-600
160031	1	BASE PLATE MODEL 500-600
190013	1	CHAIN 35XL=800
194839	1	ANGLE IRON FOOT, M 500-600 RED
210011	1	SEAL FELT D39/23 X 4
210022	1	BEARING BALL 6205
210033	1	BEARING BALL 6007
240015	1	DIAPHRAGM MODEL 500-600 NITRIL
240461	1	DIAPHRAGM MODEL 500-600 VITON
242152	1	O-RING D18.2X3 EPDM
242215	1	O-RING D18X3 VITON
280011	1	GREASE NIPPLE 1/8' H TR
280033	1	KEY HEXAGON W9 5/16"
280044	1	KEY HEXAGON W6 3/16'
281606	1	S-HOOK GALVANIZED
330013	1	O-RING D15/D10X2.5 F.3/8"NUT
330024	1	O-RING D41,1/D34.5 X 3,5
334320	1	O-RING D18X3 POLYURETHANE
410281	1	BOLT HEX 8.8 DEL M6X25
420066	1	BOLT HEX 8.8 DEL 3/8"X50MM
420081	1	BOLT HEX 8.8 DEL 3/8"X40MM
420092	1	BOLT HEX 8.8 RAW 3/8"X45MM
420162	1	BOLT HEX 8.8 DEL 3/8"x15MM
420744	1	BOLT HEX 8.8 DEL M8X40
420766	1	BOLT HEX 8.8 DEL M8X45
420781	1	BOLT HEX 8.8 DEL M8X50
420862	1	BOLT HEX 8.8 DEL M10X16 FT
420965	1	BOLT HEX 8.8 DEL M10X40
421002	1	BOLT HEX 8.8 DEL M10X30 FT
450037	1	BOLT ROUND 3/8'X1' BLACK
450612	1	SCREW M10X16 POINTED
460261	1	NUT HEX M6X1 LOCK
460342	1	NUT HEX M10
460364	1	NUT HEX M8 GALV.
471122	1	WASHER D20/D10.5X2 SS
728146	1	VALVE FOR 361(726890/707932)
33511200	1	DIAPHRAGM 503/603 PUR 2006
72095300	1	COUPLING 1-3/8' X 25, PAINTED
72180300	1	PUMP HOUSING 503 RED W/BOLTS
72180500	1	DIAPHRAGM COVER 503 W/BOLTS
72180600	1	CONNECTING ROD FOR 503-603 M10
75072900	1	PUMP KIT F. 500 "06"