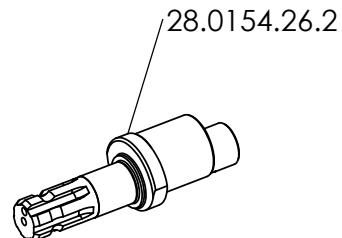
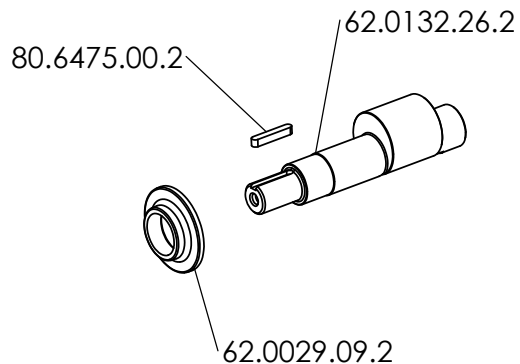


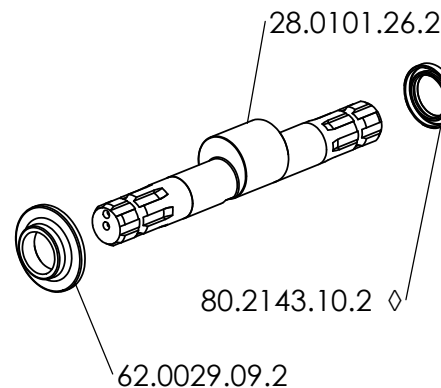
**VS**



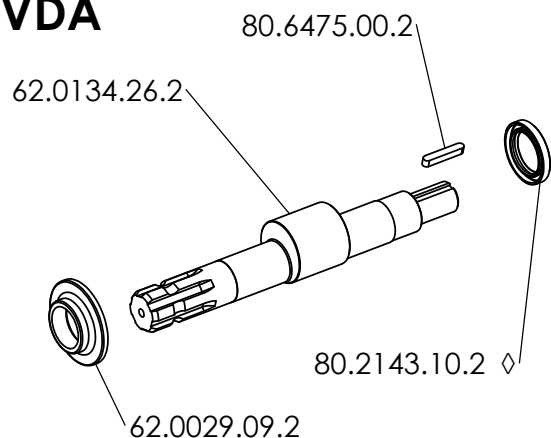
**VA**



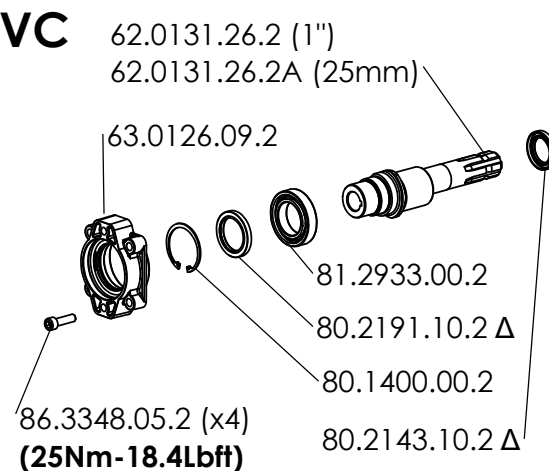
**VD**



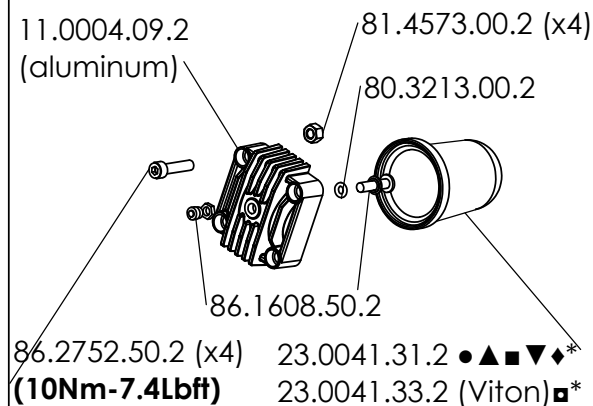
**VDA**



**VC**



**OLD VERSION (before 01/19)**



**OPTIONAL FRONT**

31.1468.32.2 (L=135)  
31.1482.32.2 (L=180)

**SAFETY VALVE**

24.3016.97.3

MATERIALE - MATERIAL	KIT MEMBRANE - DIAPHRAGMS KIT						KIT VALVOLE - VALVES KIT			KIT POMPA - PUMP KIT		
	DURAMAX	DESMOPAN	BUNA-N	HPS	VITON	PENTAX	AISI 303	AISI 316	PP	VS-VA	VD-VDA	VC
STD. - OPT.	STD.	OPT.	OPT.	OPT.	OPT.	OPT.	OPT.	STD.	OPT.			
CODICE - CODE	62.9807.97.3DS* 62.9807.97.ADS	62.9807.97.3* 62.9807.97.A	62.9806.97.3* 62.9806.97.A	62.9808.97.3* 62.9808.97.A	62.9809.97.3* 62.9809.97.A	62.9812.97.3* 62.9812.97.A	62.9805.97.3	62.9906.97.3	62.9804.97.3	62.9803.97.3	62.9820.97.3	62.9821.97.3
COMPONENTI COMPONENTS	▲	●	■	▼	◻	◆	○	◎	⏏	□	◇	△

INFORMAZIONI UTILI - USEFUL INFORMATION				
OLIO - OIL	OLIO MOTORE O SEMIIDRAULICO SAE 30 MOTOR OIL OR SEMI-HYDRAULIC OIL			
PRESSIONE DI LAVORO OPERATING PRESSURE	2 ÷ 5	5÷10	10 ÷ 20	20 ÷ 50
ACCUMULATORE	2	2÷5	5÷7	6÷8

\*per pompe con calotta accumulatore in alluminio (fino a 01/19)  
\* for pumps with aluminum ballaster cover (before 01/19)