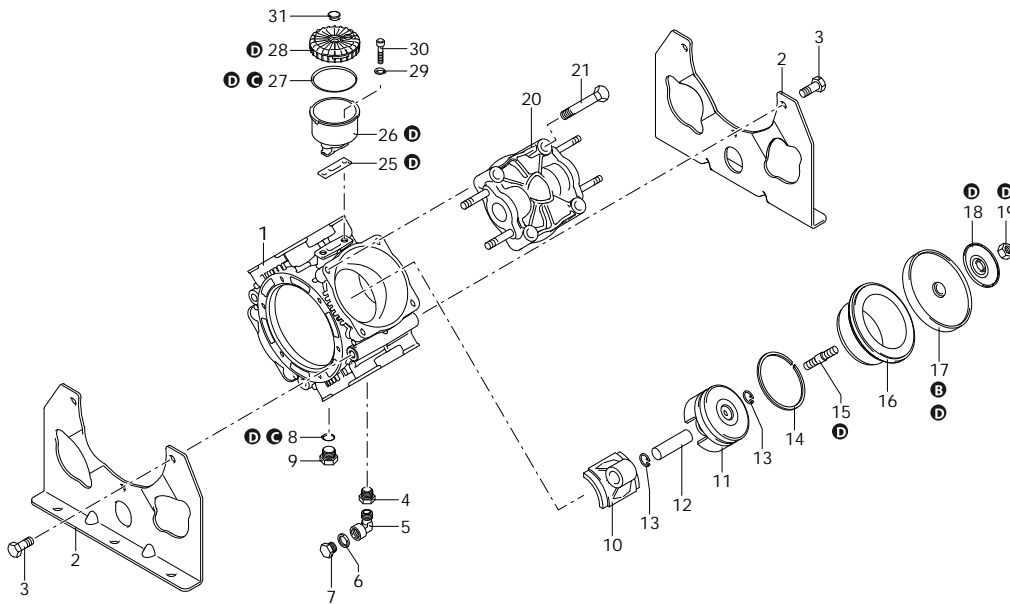




AR 160 BP

32034 AR 160 BP AP C/C - BlueFlex



Code	Description	Q	Note
1	761010 Pump body	1	
2	761031 Foot	2	
3	160672 Screw	TE M10x25	6 C=35Nm / Loxeal 55-14
4	1040491 Fitting	3/8" G (M-F)	1 C=20Nm / Loxeal 83-21
5	900210 Fitting	3/8" G (M-F)	1 Loxeal 83-21
6	2260200 Washer		1
7	2281270 Plug	3/8" G	1 C=20Nm / Loxeal 55-14
8	740290 O-ring	Ø 14x1,78	1 Lubricate Molykote PG54
9	880530 Plug	3/8" G	1 C=20Nm
10	760140 Connecting-rod		4 Lubricate with motor oil
11	750122 Piston	Ø 80	4
12	160700 Pin		4 Lubricate with Mineral Grease
13	160691 Ring	seeger Øi 18	8
14	500260 Piston ring		4
15	2240100 Hub pin		4 C=30Nm / Loxeal 83-21
16	750110 Sleeve		4
17	550081 Diaphragm	BlueFlex - Øe 115	4
18	751530 Plate	BlueFlex	4
19	2240670 Nut	M10 / BlueFlex	4 C=25Nm
20	751350 Head	plastic	4
21	750061 Screw	TE M12x65	16 C=60Nm / Lubricate Molykote 1000
25	750040 Gasket		1 Seal with Arexons Mastic
26	751170 Tank		1
27	1980340 O-ring	Ø 83,8x2,62	1
28	751180 Plug	black	1
29	380243 Washer		2
30	680350 Screw	TCEI M8x35	2 C=10Nm
31	751780 Plug		1
A	2374 Valve kit		1
B	43086 Diaphragms kit	BlueFlex	1
C	42510 O-ring kit		1
D	47218 Maintenance repair kit	BlueFlex	1
E	47208 Tank kit		1

AR_01_007_v01

Customer: AR
Customer Code:



SAE 30
1,400 Kg

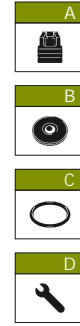
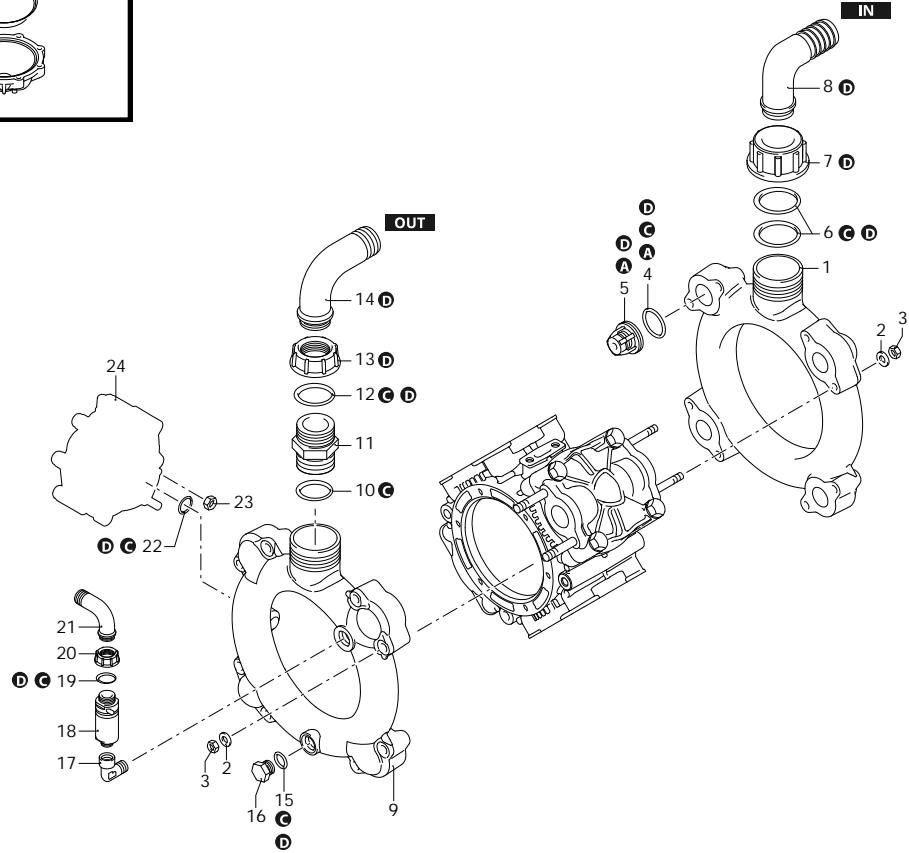
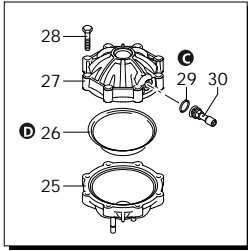
Revision: 1

Date: 25/08/2023



AR 160 BP

32034 AR 160 BP AP C/C - BlueFlex



Code	Description		Q	Note
1	760750	Line	intake	1
2	380243	Washer		16
3	380242	Nut	M8	16 C=20Nm / Lubricate Molykote 1000
4	680070	O-ring	Ø 31,5x4,25	8 Lubricate with motor oil
5	759054	Valve		8
6	3040470	O-ring	Ø 39,3x2,62	2 Lubricate with motor oil
7	3040450	Ring nut	2" G	1
8	3040430	Elbow	Ø 40	1
9	760760	Line	delivery	1
10	751140	O-ring	Ø 47,22x3,53	1 Lubricate with motor oil
11	751130	Fitting	1" 1/2 G (M-M)	1 C=10Nm
12	390290	O-ring	Ø 29x3	1 Lubricate Molykote PG54
13	750670	Ring nut	1" 1/2 G	1
14	760930	Elbow	Ø 25	1
15	180101	O-ring	Ø 17,5x2	1 Lubricate with motor oil
16	330173	Plug	1/2" G	1 C=20Nm / Loxeal 55-14
17	881560	Fitting	1/2" G (M-F)	1 C=20Nm / Loxeal 83-21
18	1609000	Safety valve	20 bar	1 Loxeal 24-18
19	880831	O-ring	Ø 15,54x2,62 Viton	1 Lubricate Molykote G-807
20	550450	Ring nut	3/4" G	1
21	550460	Elbow	Ø 18	1
22	390290	O-ring	Ø 29x3	1 Lubricate Molykote PG54
23	380242	Nut	M8	2 C=20Nm / Lubricate Molykote 1000
24	629230	Air chamber	BlueFlex	1
25	680180	Semi air chamber	lower	1
26	550194	Diaphragm	BlueFlex - Øe 110	1
27	620232	Semi air chamber	upper	1
28	621781	Screw	TE M8x40	1 C=20Nm / Lubricate Molykote 1000
29	650542	Gasket		1 Lubricate with motor oil
30	180020	Air valve		1 C=3Nm / Loxeal 55-14
A	2374	Valve kit		1
B	43086	Diaphragms kit	BlueFlex	1
C	42510	O-ring kit		1
D	47218	Maintenance repair kit	BlueFlex	1

AR_02_004_v01

Customer: AR
Customer Code:



SAE 30
1,400 Kg

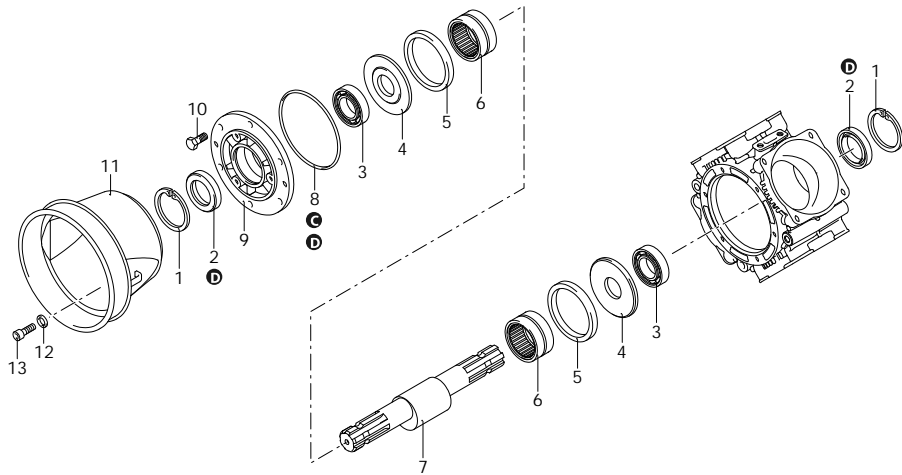
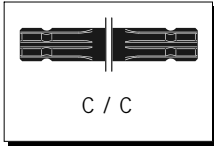
Revision: 1

Date: 25/08/2023



AR 160 BP

32034 AR 160 BP AP C/C - BlueFlex



Code	Description		Q	Note
1	200390 Ring	seeger Øi 62	2	
2	751990 Ring	seal	2	Lubricate with Mineral Grease
3	230350 Bearing		2	Press Mount
4	540040 Plate		2	Lubricate with motor oil
5	750130 Ring		2	Lubricate with motor oil
6	750090 Bearing		2	
7	750170 Shaft	AU marked	1	
8	851360 O-ring	Ø 120,32x2,62	1	Lubricate Molykote Longterm W2
9	680020 Support		1	Lubricate with Mineral Grease
10	160672 Screw	TE M10x25	6	C=35Nm / Loxeal 55-14
11	1500470 Cardan protection	ø 239 mm	1	
12	390314 Washer		3	
13	850251 Screw	TCEI M8x12	3	C=10Nm
A	2374 Valve kit		1	
B	43086 Diaphragms kit	BlueFlex	1	
C	42510 O-ring kit		1	
D	47218 Maintenance repair kit	BlueFlex	1	

AR_03_015_v01

Customer: AR
Customer Code:



SAE 30
1,400 Kg

Revision: 1

Date: 25/08/2023