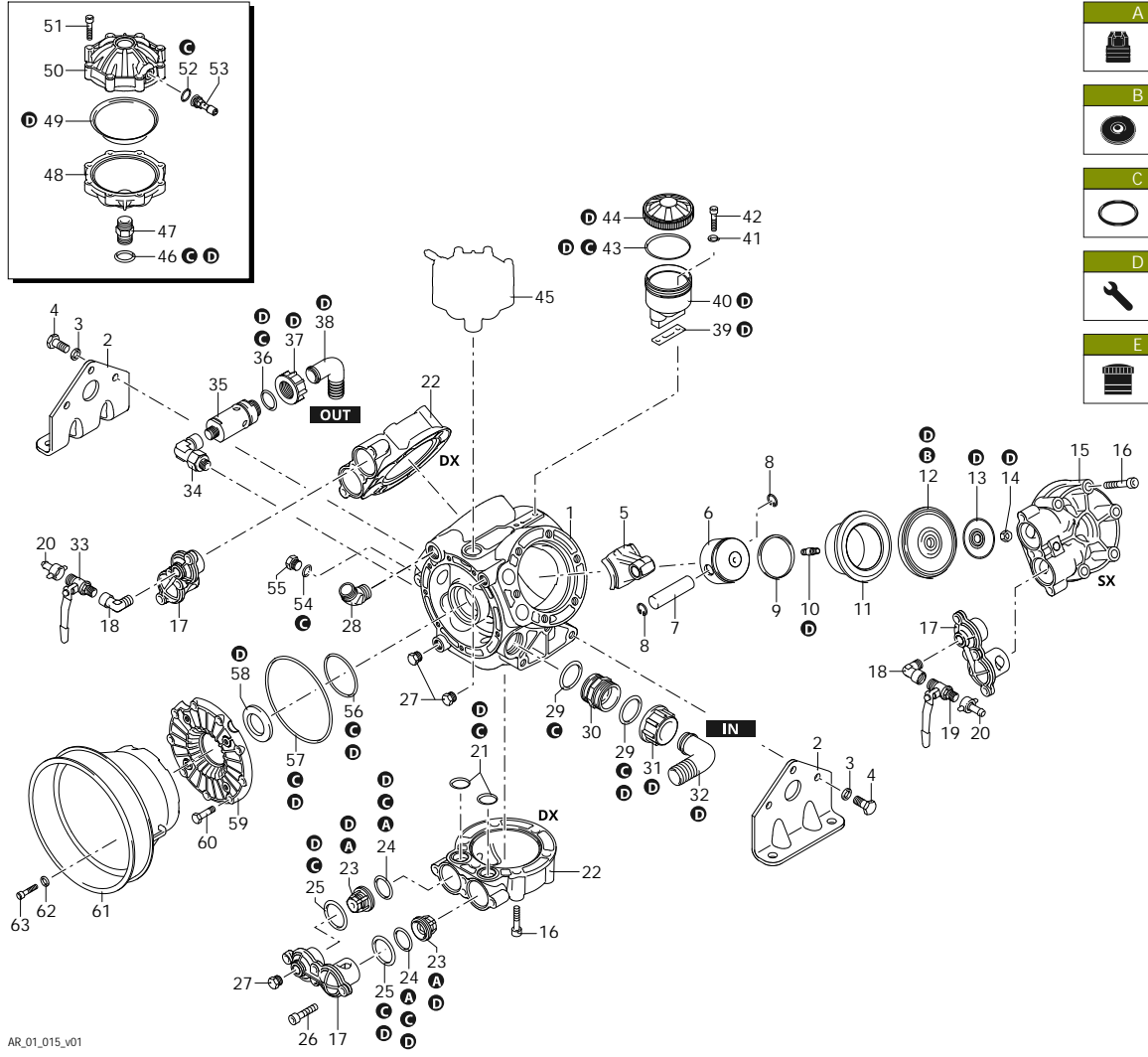




AR 1203

32118 AR 1203 AP C/C - BlueFlex



AR_01_015_v01

Customer: AR
Customer Code:



SAE 30
1,600 Kg

Revision: 1

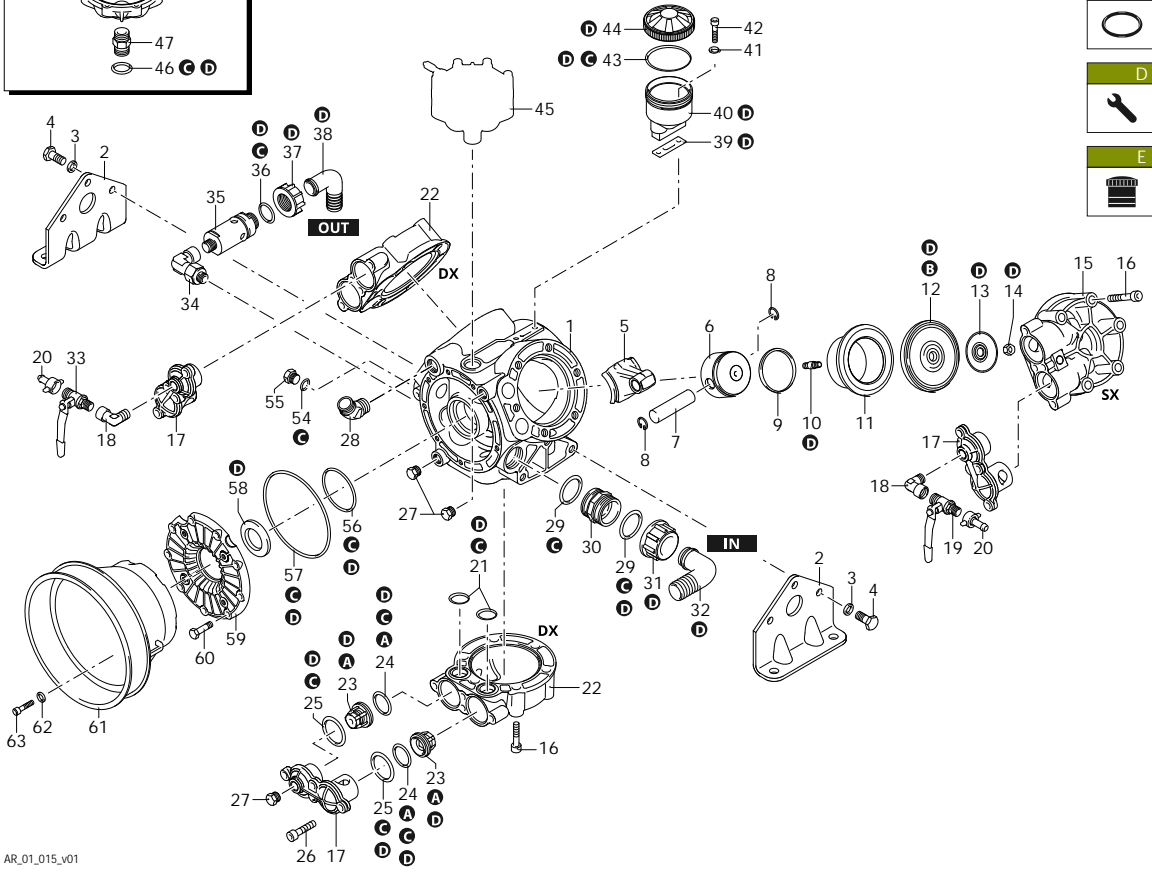
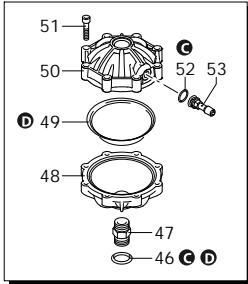
Date: 25/08/2023

Code	Description	Q	Note
1	2680010 Pump body	1	
2	2680100 Foot	2	
3	250141 Washer	6	
4	540210 Screw	TCEI M12x25	6 C=50Nm
5	2680090 Connecting-rod	bronze	3
6	2240060 Piston	Ø 72	3
7	260700 Pin		3
8	160691 Ring	seeger Øi 18	6
9	260230 Piston ring		3
10	2240100 Hub pin		3 C=30Nm / Loxeal 83-21
11	2680080 Sleeve		3
12	550081 Diaphragm	BlueFlex - Øe 115	3
13	580090 Plate		3
14	2240110 Nut	M10	3 C=25Nm
15	2680031 Head	sx	1
16	750070 Screw	TE M12x70	18 C=50Nm
17	2680040 Cover		3
18	900210 Fitting	3/8" G (M-F)	2 Loxeal 83-21
19	130491 Valve	3/8" G - 1/2" G (M-M)	1 C=20Nm / Loxeal 55-14
20	110131 Ring nut	1/2" G	2
21	1520650 O-ring	Ø 29,82x2,62	6 Lubricate with motor oil
22	2680030 Head	dx	2
23	2689050 Valve		6
24	180240 O-ring	Ø 31,34x3,53	6
25	2680150 O-ring	Ø 42,52x2,62	6 Lubricate with motor oil
26	540300 Screw	TCEI M10x30	12 C=40Nm
27	130171 Plug	3/8" G	3 C=20Nm / Loxeal 55-14
28	851650 Elbow		1 Loxeal 55-14
29	250310 O-ring	Ø 36,14x2,62	2 Lubricate with motor oil
30	540530 Fitting	1" 1/4 G - 1" 3/4 G (M-M)	1 C=20Nm
31	540540 Ring nut	1" 3/4 G	1
32	540550 Elbow	Ø 40	1
33	130492 Valve	3/8" G - 1/2" G (M-M)	1 C=20Nm / Loxeal 55-14
34	2680310 Fitting		1 Loxeal 55-14
35	1609002 Safety valve	50 bar	1 C=10Nm / Loxeal 24-18
36	880831 O-ring	Ø 15,54x2,62 Viton	1 Lubricate Molykote G-807
37	550450 Ring nut	3/4" G	1
38	550460 Elbow	Ø 18	1
39	750040 Gasket		1 Seal with Arexons Mastic
40	750030 Tank		1
41	380241 Washer		2
42	680350 Screw	TCEI M8x35	2 C=10Nm
43	1040060 O-ring	Ø 72,69x2,62	1 Lubricate Molykote Longterm W2
44	750050 Plug	red	1
45	43071 Air chamber	BlueFlex	1
46	720030 O-ring	Ø 22,22x2,62	1 Lubricate Molykote G-807
47	2240490 Fitting		1 C=20Nm / Loxeal 24-18



AR 1203

32118 AR 1203 AP C/C - BlueFlex



AR_01_015_v01

Customer: AR
Customer Code:



SAE 30
1,600 Kg

Revision: 1

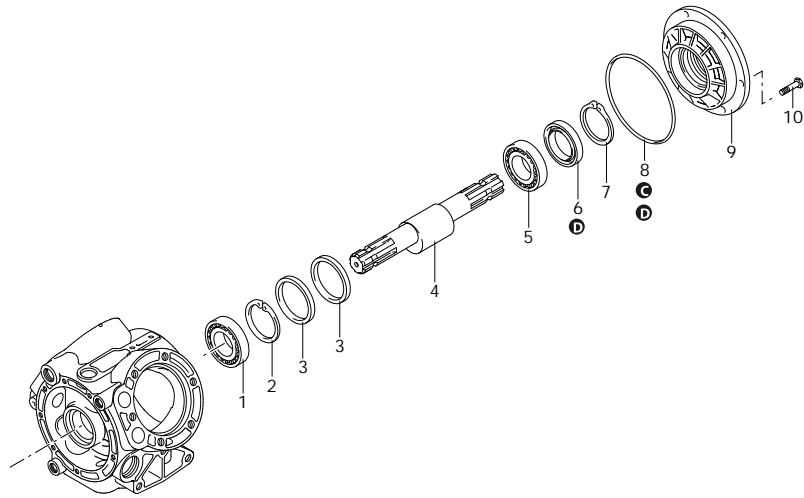
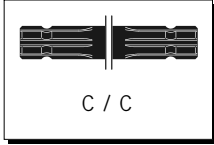
Date: 25/08/2023

Code	Description	Q	Note
48	2240481 Semi air chamber	lower	1 Loxeal 83-21
49	550194 Diaphragm	BlueFlex - Øe 110	1
50	620234 Semi air chamber	upper	1
51	380410 Screw	TCEI M8x40	8 C=20Nm
52	650542 Gasket		1 Lubricate with motor oil
53	180020 Air valve		1 C=3Nm / Loxeal 55-14
54	180101 Plug	Ø 17,5x2	1 Lubricate with motor oil
55	820361 Plug	1/2" G brass	1
56	2240270 O-ring	Ø 26,65x2,62	1 Lubricate with motor oil
57	1400120 O-ring	Ø 145,72x2,62	1 Lubricate with motor oil
58	2680110 Ring	seal	1
59	2680050 Line	intake	1
60	180370 Screw	TCEI M8x25	9 C=20Nm
61	1500470 Cardan protection	ø 239 mm	1
62	390311 Washer		3
63	850250 Screw	TCEI M8x12	3
A	42200 Valve kit		1
B	43085 Diaphragms kit	BlueFlex	1
C	42201 O-ring kit		1
D	47412 Maintenance repair kit	BlueFlex	1
E	47197 Tank kit		1



AR 1203

32118 AR 1203 AP C/C - BlueFlex



Code	Description	Q	Note
1	230350 Bearing	1	Press Mount
2	230340 Ring	1	seeger Øi 80
3	2240540 Ring	2	Connecting-rod
4	2680190 Shaft	1	CC marked
5	230350 Bearing	1	Press Mount
6	2680120 Ring	1	seal
7	161050 Ring	1	seeger Øi 72
8	1400120 O-ring	1	Ø 145,72x2,62
9	2680020 Flange	1	
10	160670 Screw	6	TE M10x25
A	42200 Valve kit	1	
B	43085 Diaphragms kit	1	BlueFlex
C	42201 O-ring kit	1	
D	47412 Maintenance repair kit	1	BlueFlex

AR_03_028_v01

Customer: AR
Customer Code:



SAE 30
1,600 Kg

Revision: 1

Date: 25/08/2023